

Specifications

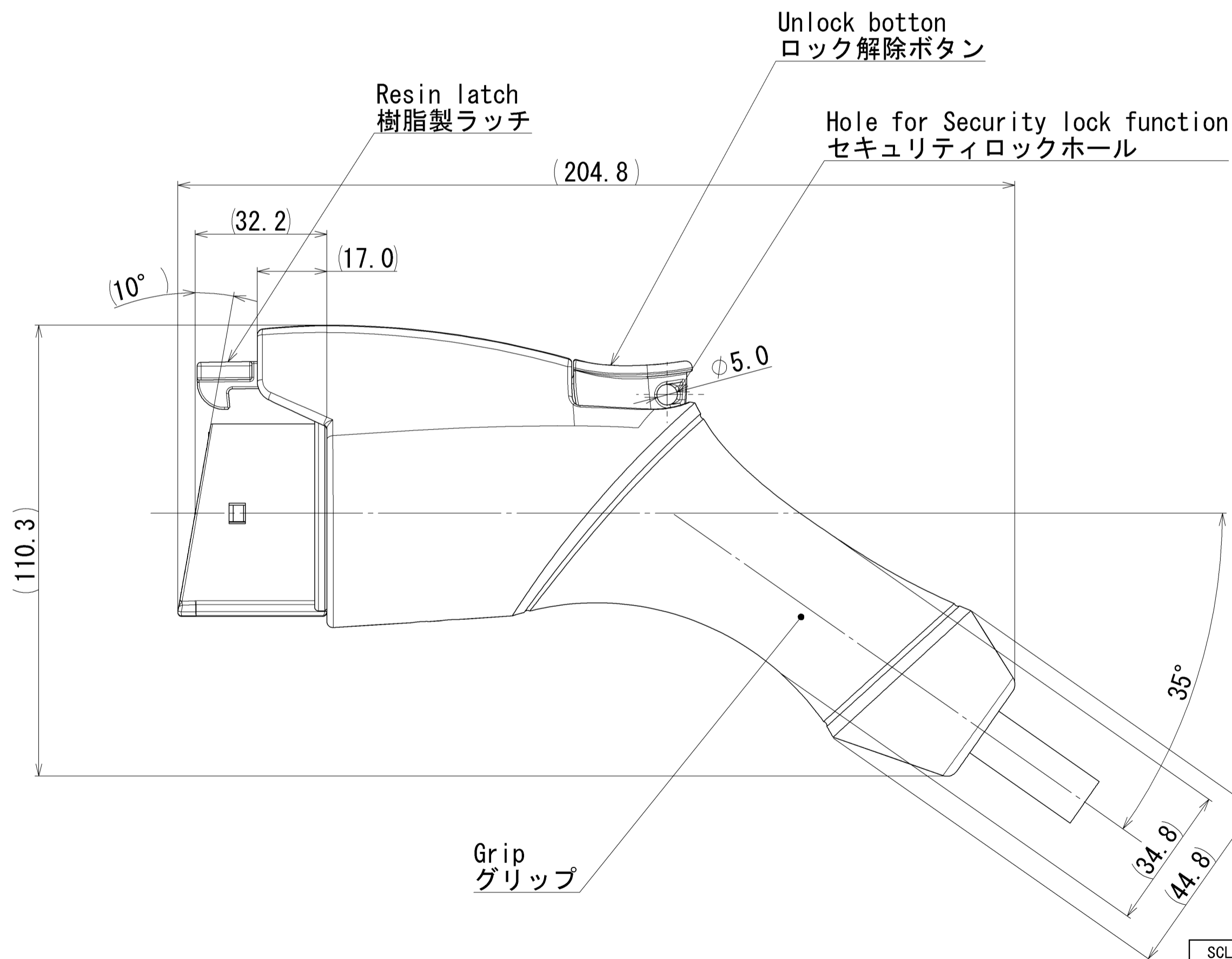
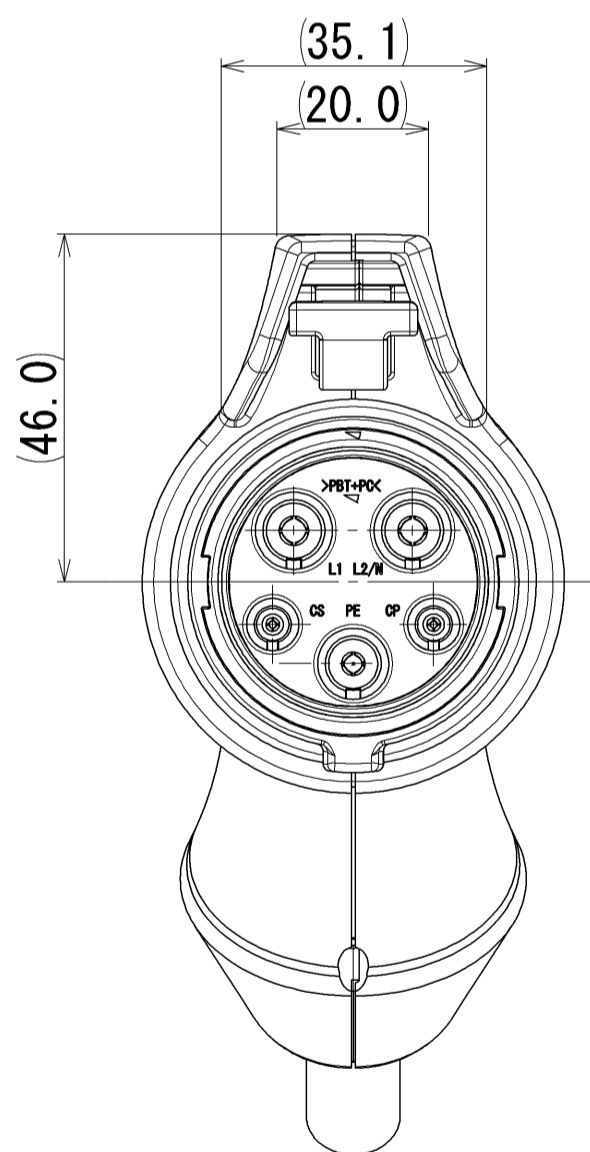
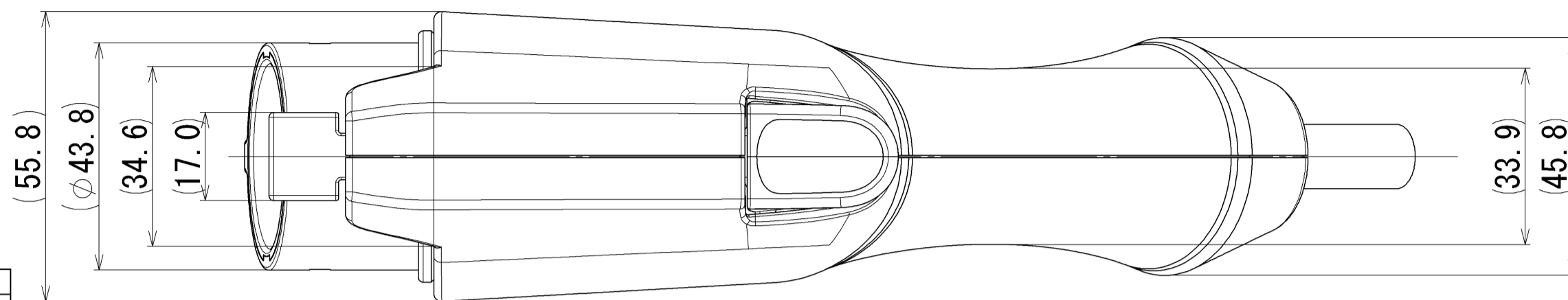
Authentication authority:	JET	UL		TÜV Rheinland	
Authentication standard:	Electric Appliances and Material Safety Law	UL2251	CSA TIL A-34	IEC62196-1	GOST-R
Rated voltage:	250 V AC	280V AC	280V AC	250 V AC	250 V AC
Rated current:	20A	13A / 20A	13A / 20A	20A	20A
Number of poles:		POWER 2, GROUND 1, SIGNAL 2			
Cable type:		POWER 2, GROUND 1, SIGNAL 1			
Operation temperature range:		-40 ~ +60°C			

- 1) Conforming to SAE J1772 specifications (Applicable to the optical lock)
- 2) Applicable to the European ELV and RoHS directives

仕様

認証機関	JET	UL		TÜV Rheinland	
認証規格	電気用品安全法	UL2251	CSA TIL A-34	IEC62196-1	GOST-R
定格電圧	250 V AC	280V AC	280V AC	250 V AC	250 V AC
定格電流	20A	13A/20A	13A/20A	20A	20A
極数		POWER 2, GROUND 1, SIGNAL 2			
キャブタイヤ電線		POWER 2, GROUND 1, SIGNAL 1			
動作温度範囲		-40 ~ +60°C			

- 1) SAE J1772 仕様に準拠(オプティカルロックに対応)
- 2) 欧州ELV、RoHS指令に対応



NAME AC CHARGE CONNECTOR /VEHICLE CONNECTOR

AC充電コネクタ / 車両コネクタ

YAZAKI CORPORATION

SCL	ANGLE
1:1	3